

**BID SUBMITTAL FORM**  
**Alabama County Joint Bid Program**  
**BID ITEM – Rubber Tire Roller**

Company Name: Cowin Equipment Company Inc

Address: 4325 Northern Blvd  
Montgomery Al 36110

Bid Submitted by: John Edwards  
(Name of company representative)

Title: Governmental Sales Manager E-mail address: jedwards@cowin.com

Phone: 850-685-7055 Fax: 334-834-2272

By submitting this bid, we agree:

Initials

The equipment model number identified below meets the bid specs for this bid item

JE

That the bid price will be honored for all counties for the period from **January 1, 2025** to **December 31, 2025**.

JE

The equipment will be delivered at the bid price to all counties participating in the joint bid program

JE

The company representative listed above will be the contact person for purchasing this bid item under the joint bid program

JE

The bid is accompanied by a current catalog or model specification document for the model number identified below

JE

The bid is accompanied by a copy of the manufacturer's standard warranty as required in the bid specifications

JE

The bid includes the E-Verify documentation required by Alabama law

JE

If awarded the bid, a performance bond will be provided upon request

JE

The bid documents include the **Manufacturer's Suggested Retail Price Sheet (MSRP) for the Standard Machine**

JE

## Rubber Tire Roller

Total Bid Price for Standard Machine: \$ 97,337.00  
(Total Bid Price for Standard Machine Includes Freight Preparation, Delivery and Standard Warranty Costs) \*

Freight Preparation and Delivery: \$ 1,500.00  
(Included in Standard Machine Bid Price)

Manufacturer's Suggested Retail Price for Standard Machine: \$ 120,881.00

Equipment Model #: Volvo PT125C

Description: Rubber Tire Roller

Signature of company representative submitting bid: 

Title: Governmental Sales Manager

\* **NOTE:** Award will be made based on the total cost of the **Standard Machine**. The total cost of the standard machine is to include the freight preparation, delivery and standard warranty cost. Freight preparation, delivery will be excluded from the total bid price of the standard machine in determining the percentage discount for any available options.

**BID SUBMITTAL FORM: OPTION COST SHEET**  
**Rubber Tire Roller**

By submitting this bid, we agree:

To offer any available options at the percent difference between the Manufacturer's Suggested Retail Price Sheet and the actual bid price on the Standard Machine\*

JE

The bid documents include the Manufacturer's Suggested Retail Price Sheet (MSRP) with **any available Options** for the Standard Machine

JE

Equipment Model #: Volvo PT125C

Description: Rubber Tire Roller

Signature of company representative submitting bid: John Edwards

Title: Governmental Sales Manager

**\*Note:** The percent difference between the **Manufacturer's Suggested Retail Price Sheet (MSRP)** for the standard machine as specified by these **Bid Specifications** and the actual price bid by the vendor will be calculated to determine the percentage discount to be applied to any available options. The bid price of the freight preparation, delivery cost shall be excluded in determining the percentage discount to be applied to available options. Any individual county may choose to add any available option to the standard machine at the percentage discount at the time of purchase.

# BID SPECIFICATIONS FOR RUBBER TIRE ROLLER

## GENERAL

These specifications shall be construed as the minimum acceptable standards for a **Rubber Tire Roller**. Should the manufacturer's current published data or specifications exceed these standards, the manufacturer's standards shall be considered minimum and shall be furnished. All integral parts not specifically mentioned in the scope of these specifications that are necessary to provide a complete working unit shall be furnished. Additionally, the machine offered for bid shall include all standard manufacturer's equipment. The roller must be a new current production model. The roller must be a new current production model and shall meet all EPA and other applicable standards at the time of manufacture.

The use of specific names and numbers in the specifications is not intended to restrict the bidder or any seller or manufacturer but is intended solely for the purpose of indicating the type, size, and quality of equipment considered best adapted to the uses of counties participating in this joint bid.

## BID SUBMITTAL FORM

Each bidder must submit his or her bid on the Bid Submittal Form included in the invitation to bid package. All written warranties to be submitted shall be attached to the Bid Submittal Form.

## BID PRICE

The price bid shall include all destination charges, delivery charges, title fees, rebates, and all other applicable costs and refunds.

## MANUALS

Each unit shall be provided with one (1) copy of the operator's manual, (1) copy of the repair manual and one (1) copy of the current parts manual. Units will not be accepted for delivery until the manuals as outlined above are received by the purchaser.

## REPLACEMENT PARTS AVAILABILITY

Parts must be available for 5 years or 7,500 hours of use for the piece of equipment bid. If replacement parts are not delivered within three (3) working days of an order being placed, the bidder will deliver an equivalent machine for the county to use at no cost to the county until such time as the parts are delivered to the county so it can affect repairs to its machine.

## WARRANTY

Bidders shall submit a copy of the manufacturer's standard warranty. Warranty shall include service response time of maximum of 36 hours within notification by county.

Yes  No   
Page# \_\_\_\_\_  
or  
Attachment



**ENGINE**

Four (4) cylinder, four (4) stroke cycle, water cooled and turbocharged diesel engine, capable of developing a minimum of 70 horsepower.

Minimum 60 gal. fuel tank. *(27 gallons but has a 12 hour run time) Better Fuel Efficiency*

Yes  No   
Page # 10

**WEIGHT (STANDARD OPERATING)**

The factory specified operating weight only. No additional weights may be added for the purpose of meeting these specifications.

Minimum 18,000 lbs. standard with ROPS.

Yes  No   
Page # 10

**STARTING SYSTEM**

Unit shall be equipped with a 12-volt electrical system.

Yes  No   
Page # 10

**DRIVE**

Infinitely variable hydrostatic drive system. 0-9 mph.

Yes  No   
Page # 10

**Tires**

4 front and 4 rear tires. 11.00-R20 front and rear. Width over tires min. 72 inches.

Yes  No   
Page# 10

**BRAKES**

Service brakes – Hydrostatic

Yes  No   
Page # 10

Parking brake.

Yes  No   
Page # 10

**OPERATOR'S PLATFORM**

Unit shall include: ROPS Canopy; vibration isolated, anti-slip operator platform; lockable instrument panel cover; emergency stop; horn; hour meter; Gauges and/or warning lights for fuel level, coolant temperature, engine oil pressure, engine temperature, and charging system; adjustable seat with seatbelt; rear view mirrors; and safety rail.

Yes  No   
Page # 10,11

**OTHER FEATURES**

Lockable hood;

Yes  No   
Page # 11

Oil level sight gauges;

Yes  No   
Page # 11

Backup alarm;

Yes  No   
Page # 11

Battery master switch;

Yes  No   
Page # option

Slow moving vehicle sign;

Yes  No   
Page # option

Water Tank min. 50 gallons

Yes  No   
Page # 10

Rotating beacon mounted on ROPS.

Yes  No   
Page # 11

# INVITATION TO BID HEAVY EQUIPMENT

## NOTICE OF BID OPENING

**NOTICE IS HEREBY GIVEN** that the Association of County Commissions of Alabama, which administers the Alabama County Joint Bid Program on behalf of Alabama's county governing bodies, shall receive and open bids for the purchase of zero (0) or more items of heavy road equipment at its office located at 2 North Jackson Street, Montgomery, Alabama, at **10:00 a.m. on Friday, November 1, 2024**. Bid specifications are available at <http://www.alabamacounties.org/heavy-equipment/> for each of the following items:

Track Mount Excavators  
Compact Track Mount Excavators  
Mini Track Excavator  
Wheeled Excavators  
Highway Speed Truck Excavators  
Motor Grader  
Wheel Loader  
Heavy Duty Dump Chassis  
Lowboy Tractor

Lowboy Trailer  
Skid Steer and Attachments  
Ride-on Industrial Boom Mowers  
Rubber Tire Roller  
One-man Pothole Patchers  
Trailer Mount Mastic Patcher/Crack Sealer  
Chip Spreader  
Asphalt Distributor

Time is of the essence in submitting bids and only bids received in the Association office by 10:00 a.m. Central Time on Friday, November 1 2024 will be opened and considered. Bidders and any other interested individuals are invited to attend the bid opening.

## NOTICE OF BID OPENING PROCEDURES

All bids for Heavy Equipment will be opened and the name(s) of the bidders read aloud on the morning of the bid opening on **Friday, November 1, 2024 at 10:00 a.m.** at 2 North Jackson Street, Montgomery, AL. The specifics of each bid submitted will be compiled by the Association staff thereafter and will be available, **upon written or emailed request**, one week after the bid opening. Requests should be emailed to [jointbid@alabamacounties.org](mailto:jointbid@alabamacounties.org).

## THE INVITATION PACKAGE

The invitation package for each item to be bid includes: this invitation to bid, the written bid specifications for the particular item of heavy road equipment, and a Bid Submittal Form to be used in submitting a bid for that particular item. Bidders should verify that they have received all pages of the invitation package. If there are any omissions, the bidder should contact **Kenya Howard** in the Association office by mail, fax, or e-mail ([jointbid@alabamacounties.org](mailto:jointbid@alabamacounties.org)) to request missing pages. It is the responsibility of the bidder to make this request in sufficient time to prepare and submit the bid in time for the bid opening. Bidders should carefully read and comply with all parts of the invitation package, including all attachments and/or any addendum.

## PREPARING AND SUBMITTING BIDS

All bids must be typed or hand written in ink on the attached Bid Submittal Form. **The completed Bid Submittal Form shall be placed in front of and separated from all other documents included in the bid packet, such that it will be the first document viewed upon opening the bid packet.**



Bids submitted in pencil and bids not submitted on the Bid Submittal Form **will not** be considered. All bids shall include a current catalog or model specification document for the equipment model number being offered for consideration. Bids submitted without such documentation **will not** be considered. Only information contained on the attached Bid Submittal Form and in the model specification document will be considered in evaluating bids.

Each separate requirement in the bid specification includes a block for indicating whether or not the item bid meets the specification. The bidder shall indicate compliance with each requirement by checking "Yes" or "No" in the block to the right of each bid specification. In addition, the bidder shall indicate the page number in the supplied manufacturer's equipment literature on which compliance with the specification can be verified. Failure to complete this portion of the bid form may result in the subject bid not being considered.

Each bid for one of the heavy equipment items included in the bid package must be submitted on the Bid Submittal Form for that item and forwarded in a separate envelope with the bid item and item number clearly identified on the outside of the envelope. Envelopes containing a "no bid" shall also include the words "NO BID" on the outside of the envelope. Facsimiles and e-mails will not be accepted. Bids submitted by "Express/Overnight" services must be in a separate inner envelope or package sealed and identified as stated above. All bids must be received in the Association office prior to the bid opening. Bids received after the deadline will be returned unopened.

The County Joint Bid Program reserves the right to require a performance bond from successful bidders as permitted under Alabama law. However, **no bid bond is required for this bid offering.**

All bids should be mailed or hand-delivered to:

**ATTN: Patrick McDougald**  
**Association of County Commissions of Alabama or ACCA**  
**2 North Jackson Street, FL 7, Montgomery, Alabama 36104 (Physical Address)**  
**P.O. Box 5040, Montgomery, Alabama 36103 (Mailing Address)**



## **BID SPECIFICATIONS**

Please note that each piece of heavy equipment available for bid may include several different sizes and categories of machines. You should read each set of specifications very carefully as the differences vary depending upon the piece and size of equipment.

The award will be based on the total cost of the **Standard Machine** bid by the lowest responsible bidder. Each Bid shall include a **Manufacturer's Suggested Retail Price Sheet (MSRP)** for each machine bid. The percent difference between the Manufacturer's Suggested Retail Price (MSRP) for the standard machine as specified by these bid specifications and the actual price bid by the vendor will be calculated and that percentage discount shall be applied to any options an individual county may choose to add to the machine.

Once the bids have been awarded, any county participant purchasing under this program may, at its discretion, add any of the vendor's available options at the same discount off the Manufacturer's Suggested Retail Price Sheet as was applied to the Standard Machine Price Bid.

Any use of specific names and/or model numbers in the attached specifications is not intended to restrict the bidder or any seller or manufacturer, but is included solely for the purpose of indicating the type, size, and quality of materials, product services, or equipment considered best adapted to the use of the counties participating in the joint bid program.

## **ACQUISITION AND FINANCING OPTIONS**

The awarded Vendor will provide the equipment, including any options required by the purchaser, at the awarded price as contracted through the Joint Bid Program. The purchaser may secure its own financing to acquire the equipment or execute any financial options available under Alabama law with the awarded Vendor in order to acquire the equipment.

## **BIDDER QUALIFICATIONS**

All bidders and all program participants must be in compliance with any applicable federal, state, county and municipal laws, regulations, resolutions and ordinances, including but not limited to, licensing, permitting, and taxation requirements. All bidders should be prepared to submit evidence or documentation as proof that they are properly licensed and permitted under any applicable laws upon request. Such evidence or documentation may be submitted with the bid. Additionally, all bidders shall provide proof that they are in compliance with the E-Verify requirements of Alabama's Immigration Law (Ala. Code § 31-13-1 et seq., as amended by Act No. 2012-491).

## **BID AWARD**

The Houston County Commission will serve as the awarding authority for all bids and will award all contracts at a regular meeting of the Houston County Commission. Any and all bids submitted in compliance with this invitation to bid shall be considered, and award will be made to the lowest responsible bidder meeting bid specifications as determined by the awarding authority in compliance with Alabama law. All bids will be reviewed and evaluated by a committee created for that purpose, which committee will make comments and recommendations to the awarding authority regarding the award. All factors contained in each invitation package will be evaluated in determining the successful bidder, and any omissions of the stated requirements may be cause for rejection of the bid submitted. The awarding authority reserves the right to reject any and all bids, to waive any informality in bids, and to accept in whole or in part such bid or bids solely at its discretion.

The contract period will be one year with an option to renew for a second and third year under identical price, terms, and conditions upon the mutual consent of the vendor and the awarding authority. Any renewal contract shall be approved in writing by the vendor and the awarding authority no later than 90 days prior to the expiration of the existing contract.

## **CONTACT REGARDING BIDS AND INVITATION**

Contact initiated by a potential bidder with any county official, county employee, or member of the Association staff shall only be as specifically set out in this Invitation to Bid. Any questions related to the bid or the County Joint Bid Program shall be directed to Association staff in writing under the procedures set out in this Invitation to Bid. Additionally, a bidder may contact the Association in writing to request an appointment to review bid specifications following the bid opening. **However, there shall be no communication with any county official or county employee regarding this bid between the date of this invitation and the date of bid award.** Any contact other than as set out here shall be deemed as an attempt to unduly influence the bid award, and shall be grounds for rejection of the bid submitted by the bidder initiating such other contact.

Any questions or problems related to downloading or obtaining copies of this Invitation to Bid should be directed to **Kenya Howard** at [jointbid@alabamacounties.org](mailto:jointbid@alabamacounties.org) or **334-263-7594**.

Any other questions or requests for additional information regarding this invitation or the bid specifications shall be submitted **in writing** no later than five (5) days prior to bid opening to:

**ATTN: Patrick McDougald**  
**Association of County Commissions of Alabama**  
**P.O. Box 5040**  
**Montgomery, Alabama 36104**

**OR**

**Patrick McDougald**  
**Email: [pattymackdaddy@gmail.com](mailto:pattymackdaddy@gmail.com)**





Volvo Construction Equipment

# ACCA



Terry Ward  
Sales Representative  
205-296-7587  
tward@cowin.com

John Edwards  
Governmental Sales Manager  
850-685-7055  
jedwards@cowin.com

# PT125C

Volvo Pneumatic Tyre Rollers 4.4-11.3 t / 9,825-25,000 lb 55.4 kW / 74.3 hp





# A passion for performance

At Volvo Construction Equipment, we're not just coming along for the ride. Developing products and services that raise productivity – we are confident we can lower costs and increase profits for customers around the globe. Part of the Volvo Group, we are passionate about innovative solutions to help you work smarter – not harder.

## Helping you to do more

Doing more with less is a trademark of Volvo Construction Equipment. High productivity has long been married to low energy consumption, ease of use and durability. When it comes to lowering life-cycle costs, Volvo is in a class of its own.

## Designed to fit your needs

There is a lot riding on creating solutions that are suited to the particular needs of different industry applications. Innovation often involves high technology – but it doesn't always have to. Some of our best ideas have been simple, based on a clear and deep understanding of our customers' working lives.



## You learn a lot in 180 years

Over the years, Volvo has advanced solutions that have revolutionized the use of construction equipment. No other name speaks Safety louder than Volvo. Protecting operators, those around them and minimizing our environmental impact are traditional values that continue to shape our product design philosophy.

## We're on your side

We back the Volvo brand with the best people. Volvo is truly a global enterprise, one that is on standby to support customers quickly and efficiently – wherever they are.

## We have a passion for performance.

### A strong, dedicated, capable dealer network

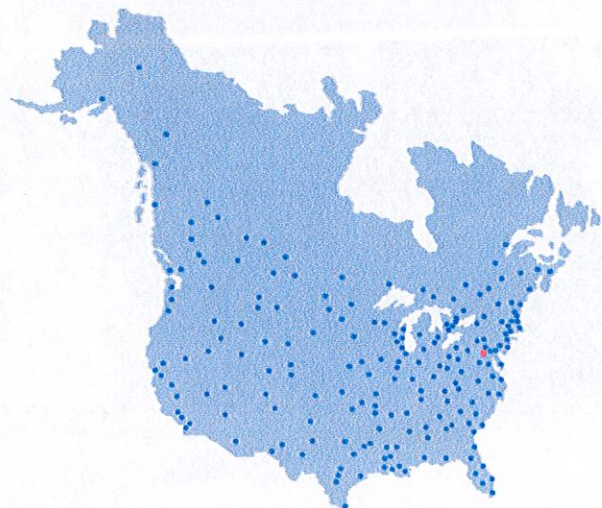
Our dealers are strategically located throughout North America to provide the equipment you need and the parts and service support you demand for a productive and profitable operation.

The strength of our dealer network is enhanced with extensive individualized product support training at our best-in-class Customer Center in Shippensburg and through hands-on training. Using a great Product Demonstration Center featuring a dedicated area for most common applications, visitors operate equipment from our entire product line under a variety of simulated working conditions. This facility is in year-round use by our dealers and customers.

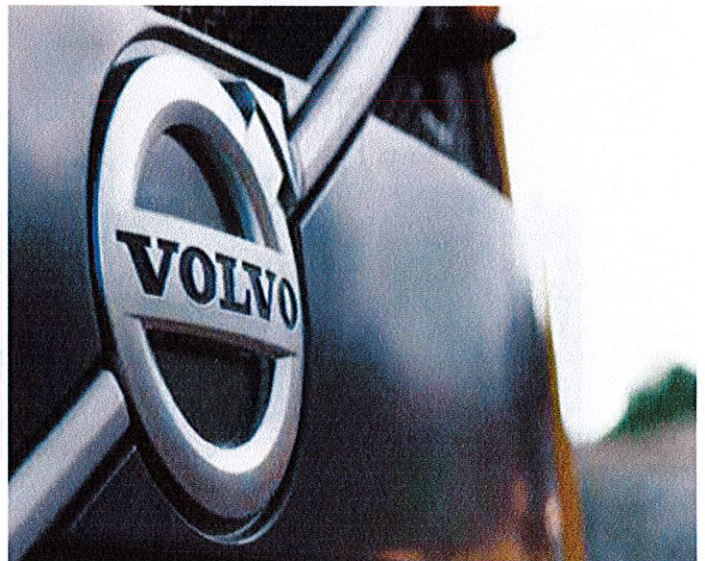
### Building the best starts right here.

The products designed and manufactured by Volvo Construction Equipment have their beginnings at the most advanced Research & Design centers in the industry. Volvo CE machines are designed in 11 R&D centers and produced in 15 manufacturing facilities across the world.

The major R&D center and manufacturing plant in the Americas is located in Shippensburg, Pennsylvania. This facility has been in operation for over 30 years and – with its recently added 200,000 sq. ft. expansion – now covers 570,000 sq. ft. on an 80 acre campus. Dedicated work teams and highly advanced technologies and techniques using the Volvo Production System ensure continuous quality improvements, labor savings and cost control to reach the high quality that our customers have come to expect from Volvo.



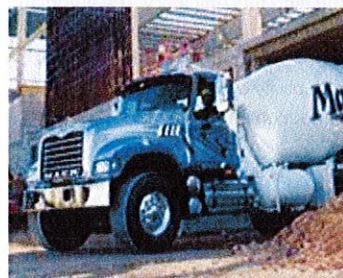




Volvo Trucks



Renault Trucks



Mack Trucks



UD Trucks



Volvo Buses



Volvo Construction Equipment



Volvo Penta



Volvo Financial Services



# Built for the road ahead

Experience high-performance compaction in all terrain with the PT125C. Designed for roadway construction or resurfacing, the nine-wheeled pneumatic tire roller utilizes kneading action for the compaction of hot and warm mix asphalt. For chip seal applications, the pneumatic tires press the aggregate into the binder without fracture. Enjoy ease of operation and high efficiency, so you can finish the job on time and within budget.

## Smooth operation

Achieve fast cycles and optimum output with the two-speed hydrostatic transmission and rely on the smooth direction changes to prevent scuffing the material surface. To increase productivity, the forward and reverse rolling speeds offer greater than 19km/h (12mph). Optimize your operation without compromising safety with this dynamic system which meets ISO 3450 braking standards.



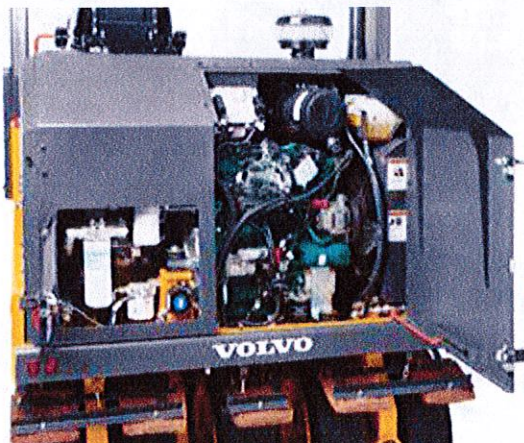
## Paved for the future

The PT125C features four front and five rear tires, which overlap to provide full width coverage. Achieve uniform density thanks to the independent oscillation of the front and rear tires, even on irregular surfaces. By maintaining consistent contact with the material, rutting is minimized and flaws are removed for a superior mat finish.



## Power up, costs down

The Volvo Tier 4 Final engine delivers high torque at low rpm to ensure superior performance and high fuel efficiency. The automatic idle feature reduces the engine speed to idle when controls are inactive for more than five seconds, cutting fuel consumption. Passive regeneration boosts productivity by automatically cleaning filters without operator input or effect on performance.



## Comfortably productive

Stay safe under the certified ROPS or FOPS canopy, which protects the operator without restricting visibility (1m x 1m) all around the machine, enhancing both operator and jobsite safety. All controls are ergonomically-positioned within each operator's zone of comfort and reach. Because these controls are found on most T4f compactors from Volvo, you can choose from a greater pool of experienced operators.







# VERSATILE PERFORMANCE

Take on tons of tasks with the PT125C, built for adaptability in all terrain. The maximum operating weight can be adjusted from 4 450kg (9,830lb) to 11 340kg (25,000lb) by ballasting with different materials. The 14 ply heavy-duty tires carry the heaviest loads, boosting performance without compromising component life. Adjust tire pressure to secure high ground contact pressure and achieve compaction in fewer passes.





# EASY MAINTENANCE

The PT125C is designed to quickly perform daily service and maintenance checks, from ground-level. A hinged door allows complete access the engine compartment and all major components, while removable panels provide entry to less frequently serviced items. A racetrack decal identifies maintenance needs for fast routine service and minimal maintenance costs.



# Unbeatable uptime

Get ready to work with the Volvo PT125C asphalt compactor. Designed to optimize uptime, the robust machine is designed for service ease to ensure a long lifetime. Keep your machine running with Volvo's extensive dealer network and benefit from our wide range of services, catered specifically to your requirements.

## Productivity on tap

Rely on the PT125C, featuring the industry-leading tire-wetting system to boost uptime and reduce operating costs. The triple redundant filtration system minimizes the risk of failure caused by water tank contamination, so you can roll worry-free.



## Here to support you

Make sure your machine retains its renowned Volvo quality with a ready supply of Genuine Volvo Parts, available from your local Volvo dealer. With our extensive dealer coverage and factory trained technicians, we have a comprehensive network to fully support you using local knowledge and global experience.



## Get to work fast

Save time and money with the PT125C, made with mobility in mind. The intelligently-designed compactor features a ROPS or FOPS that can be folded down for transport, making shipping easier and safer than ever. With mobility at its core, the Volvo roller provides you with everything you need to maintain a competitive edge.



## Machine monitoring made easy

With MATRIS, your Volvo dealer can help identify improvement areas by analyzing your machine's operational data. Reduce maintenance costs, increase service life and optimize your operations with the Volvo patented diagnostic software.





# Knead for perfection

## VERSATILE PERFORMANCE

Complete a variety of tasks with the roller's impressive ballast capacity, adjustable tire pressure and heavy-duty tires.

### Power up, costs down

Boost productivity without compromising costs with the Volvo engine, featuring automatic idling and passive regeneration.

### Get to work fast

Easily and safely move between jobsites thanks to the foldable ROPS or FOPS canopy.

### Smooth operation

Enhance productivity without compromising safety thanks to the intelligently-designed hydrostatic transmission.

### Paved for the future

Oscillating front tires overlap with rear drive tires to provide uniform surface coverage, compaction and sealing.





Volvo PT125C in detail



**Here to support you**

Ensure your machine retains its Volvo quality with a supply of Genuine Volvo Parts, available at your local Volvo dealer.

**Comfortably productive**

Reduce fatigue with all-around visibility, adjustable seat and easy-to-reach controls.

**Productivity on tap**

Boost uptime and cut operating costs with the industry-leading tire-wetting system.

**Machine monitoring made easy**

Reduce maintenance costs, increase service life and optimize your operations with Volvo's diagnostic software, MATRIS.

**EASY MAINTENANCE**

Simplify service from ground-level with the hinged engine compartment door, removable panels and racetrack decal.

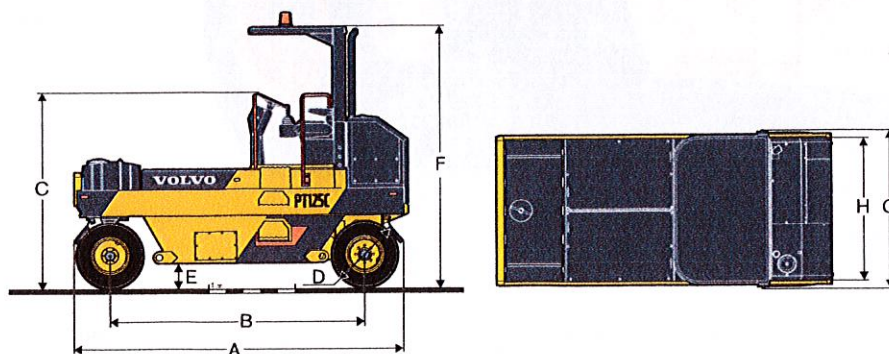


# Volvo PT125C in detail

Model			PT125C	
<b>Operating Weight</b>				
Standard operating weight	kg	lb	4,457	9,826
Maximum weight ballasted	kg	lb	11,340	25,000
Wheel load	kg	lb	495	1,091
Wheel load (ballasted)	kg	lb	1,264	2,787
<b>Tyres</b>				
Tyre type	7.5-15 14PR			
Number of tyres (front /rear)	4/5			
Tyre overlap	mm	in	13	0.5
Tyre pressure (min/max)	bar	psi	2.4/8.6	35/125
<b>Engine</b>				
Make	Volvo			
Model	D3.3H			
Rated power @ 2,200 r/min	kW	hp	55.4	74.3
Emission compliance	US EPA Tier 4 Final, EU Stage IIIB			
<b>Propulsion</b>				
System type	Closed loop hydrostatic			
Driven wheels	Rear			
Speed range (travel)	km/h	mph	0 to 19.6	0-12.2
Speed range (working)	km/h	mph	0 to 12	0-7.4
Theoretical gradeability			30	
<b>Steering</b>				
Steering	Hydraulic power assisted steering			
Steering actuator	Double-acting hydraulic single cylinder			
<b>Electricals</b>				
Operating voltage	V	12 VDC, negative ground		
Alternator capacity	Z	12V, 90A		
Battery	12V 900CCA			
Headlights	2			
Work lights	2			
<b>Operator console</b>				
Console	Fixed			
Seat	1 fixed seat			
<b>Braking</b>				
Service brake	Hydrostatic			
Parking brake	Spring Applied Hydraulically Released (SAHR)			
<b>Water spray system</b>				
Type	Pressurized			
Spray nozzles	1 per tire			
<b>Service capacities</b>				
Fuel tank capacity	l	gal	102.2	27
Hydraulic oil capacity	l	gal	76.1	20.1
Water spray tank	l	gal	378.5	100
<b>Safety</b>				
Indicators	Warning lamps/alarms for engine			
Audio alarms	Backup alarm			
Sunshade	ROPS			
Operator restraint	Seat belt			
Switch	Centralized emergency shut down switch for machine operations			

## DIMENSIONS

A	mm	in	3,880	152.8
B	mm	in	2,942	115.8
C	mm	in	2,236	88.0
D	mm	in	762	30.0
E	mm	in	273	10.7
F	mm	in	3,018	118.8
G	mm	in	1,831	72.1
H	mm	in	1,732	68.2





# Equipment

## STANDARD EQUIPMENT

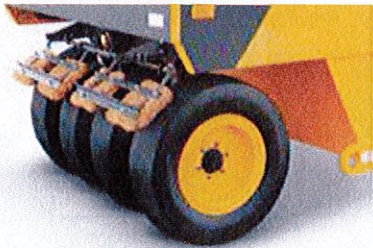
Side-console, common with T4f soil and large asphalt compactors  
 Volvo standard ROPS  
 Full suspension seat  
 Retracting seat belt  
 Seat belt alarm  
 Operator presence switch  
 External lockable fuel fill  
 Back-up alarm  
 Daily service checkpoints list  
 12 Volt power port  
 Integrated parking brake  
 Parking brake test function  
 Two stage air intake filter  
 Heavy-duty frame  
 Cocoa mat with tire scrapers

## OPTIONAL EQUIPMENT

Work lights  
 Road lights  
 Front lights  
 Rotating beacon  
 Speedometer  
 Nylon scraper  
 Steel scraper  
 Hydraulic oil temperature sensor  
 Vandal protection  
 Special paint  
 Heat skirt  
 Tool kit  
 Lifetime frame guarantee

## SELECTION OF VOLVO OPTIONAL EQUIPMENT

**Michelin radial tires**



**Heat skirts**



**ROPS/FOPS**



**Lighting packages**



**Vandal protection**



Not all products are available in all markets. Under our policy of continuous improvement, we reserve the right to change specifications and design without prior notice. The illustrations do not necessarily show the standard version of the machine.





**VOLVO**

Volvo Construction Equipment

[www.volvoce.com](http://www.volvoce.com)



# VOLVO

## Volvo Construction Equipment North America Warranty – Disclaimers – Limitations Limited Warranty for Governmental / Municipalities

Volvo Construction Equipment North America (“Volvo CE”) hereby extends to its authorized dealers (“Dealer”) and the Dealer’s Governmental / Municipalities customers (“Customer”, and both Dealer and Customer are referred to herein as a “Buyer”), who purchase a new Volvo construction equipment machine (“Machine”) or new Volvo part (“Part”, both of which are referred to herein as a “Product”) from Volvo, the following limited warranty:

Subject to the exceptions and limitations set forth below, Volvo CE or Dealer will repair or replace any part of a new Machine or new Part which proves to be defective in material or workmanship during the following periods (the “Warranty Period”):

- Volvo wheel loaders: 12 months/2500 hours, whichever first occurs
- Volvo articulated haulers: 12 months/2500 hours, whichever first occurs
- Volvo hydraulic excavators: 12 months/2500 hours, whichever first occurs
- Volvo motor graders: 12 months/2500 hours, whichever first occurs
- Volvo compactors: 12 months/1500 hours, whichever first occurs  
24 months unlimited hours on DD90 and larger compactors
- Volvo pavers: 12 months/1500 hours, whichever first occurs  
24 months unlimited hours on 6000 / 7000 series pavers
- Volvo milling: 12 months/1500 hours, whichever first occurs
- Volvo compact wheel loaders (up to 100 net hp.): 12 months/unlimited hours
- Volvo skid steer loaders: 12 months/unlimited hours; Lifetime arm for one-sided
- Volvo compact hydraulic excavators (less than 11 metric tons): 12 months/unlimited hours
- Volvo backhoe loaders: 12 months/unlimited hours
- Volvo engines: 12 months/2500 hours, whichever first occurs
- Volvo parts: 6 months/1500 hours, whichever first occurs
- Volvo remanufactured components: 12 months/2500 hours, whichever first occurs
- Volvo Attachments: 12 months

The Warranty Period commences immediately following the delivery of said Product to the Buyer who first puts said Product into use. The foregoing limited warranty shall include the labor cost to accomplish the repair or replacement of the defective part provided that the repair or replacement was performed by a Dealer.

The foregoing warranty does not cover: (i) any Product found to have been damaged by abuse, accident, other casualty or a failure to maintain or use the warranted Product in accordance with the applicable manuals or instructions (Buyer is required to use only original equipment manufacturer filters during the Warranty Period); (ii) the labor costs to repair or replace defective Parts after the expiration of the Warranty Period of the Machine in which such Part is located; (iii) overtime labor premiums; (iv) costs and expenses associated with the transportation of Dealer’s service personnel to and from the location of the warranted Product; (v) any parts, components, attachments or accessories for which Buyer receives a separate warranty by the manufacturer or producer thereof (in specified cases said warranty may be administered by Volvo CE); (vi) maintenance items or ground engaging parts that have achieved their normal service life.

### **DISCLAIMER OF IMPLIED WARRANTIES AND LIMITATION OF REMEDIES**

THE FOREGOING WARRANTY TO BUYER IS EXCLUSIVE AND IS IN LIEU OF ALL OTHER WARRANTIES, EXPRESSED OR IMPLIED, AND THERE IS NO IMPLIED WARRANTY OF MERCHANTABILITY OR FITNESS FOR A PARTICULAR PURPOSE.

REMEDIES AVAILABLE TO BUYER ARE LIMITED TO MAKING A CLAIM UNDER THE FOREGOING WARRANTY AND ARE EXCLUSIVE AND EXPRESSLY LIMITED TO OBTAINING THE PARTS AND LABOR IN ACCORDANCE WITH THE TERMS OF SAID WARRANTY.



## **Warranty – Disclaimers – Limitations**

### **LIMITATIONS OF LIABILITY AND DAMAGES**

Regardless of whether a claim against Volvo CE or Dealer is based on the foregoing warranty or is an action in contract, tort (negligence or strict liability) or otherwise, their respective liability for losses, damages or expenses of any kind arising from the design, manufacture, repair or sale of the Products is limited, unless otherwise prohibited by law, to an amount not exceeding the cost performing the obligations contained in the foregoing warranty, and in no event shall their respective or joint liability exceed the value of the Product or part thereof giving rise to such liability.

### **CONSEQUENTIAL AND SIMILAR DAMAGES NOT RECOVERABLE**

Except for performing the obligations of the foregoing warranty in accordance with its terms, Volvo CE and Dealer shall have no liability for loss, damage, or expense, directly or indirectly, attributable to a loss of use of a Product, loss or damage to property other than the Product, loss or damage to the Product or any part thereof or any other economic or commercial loss, including, without limitation, lost profits or special or consequential damages (except liability for any type of consequential damages which by law may not be disclaimed). The parties intend that this prohibition against consequential and similar damages will survive and be effective even if the limitation of remedies in the foregoing sections is found to fail of its essential purpose under section 2-719 of the Uniform Commercial Code.

### **ALLOCATION OF RISK**

The foregoing warranty disclaimers, limitations of liability and limitation of remedies are bargained allocations of risks among (i) the Customer who purchased the Product; (ii) the Dealer who sold the Product, and (iii) Volvo CE, which is a third party beneficiary of the contract of sale between the Customer and the Dealer. The Buyer of the Product accepts the foregoing warranty and the other bargained for allocations of risk as part of the agreed price for the purchase of the Product to which the foregoing warranty applies. Volvo CE is prepared to offer different warranties and other allocations of risk for other prices. However, any such change in the warranty or the allocation of risks must be confirmed in writing by Volvo CE.

### **STATUTE OF LIMITATIONS**

Any action by a Buyer of a Product for breach of contract, for breach of warranty arising under, or for a cause of action arising out of the sale of a Product, whether based on contract, tort (negligence or strict liability) or otherwise, shall be commenced within one (1) year after the cause of action has accrued. Any such cause of action shall be deemed to have accrued at the earlier of (i) the discovery of the defect or breach, or (ii) the expiration of the applicable Warranty Period.

<b>Sales Code</b>	<b>Description</b>	<b>MSRP</b>
PT125C	Volvo PT125C Roller	\$108,547
DD39201	NA Engine	\$0
DD44001	Vandal cover	\$878
DD74025	English Manual	\$0
DD89801	FRAME LIFETIME GUARANTEE	\$0
DD41003	ROPS/FOPS in lieu of ROPS arch	\$4,556
DD56002	Rotating Beacon for ROPS	\$491
DD20001	Michelin radial tire, smooth asphalt	\$6,409
<b>MSRP Total</b>		<b>\$120,881</b>





Company ID Number: 505216

THE E-VERIFY PROGRAM FOR EMPLOYMENT VERIFICATION  
MEMORANDUM OF UNDERSTANDING

ARTICLE I

PURPOSE AND AUTHORITY

This Memorandum of Understanding (MOU) sets forth the points of agreement between the Department of Homeland Security (DHS) and Cowin Equipment Co Inc (Employer) regarding the Employer's participation in the Employment Eligibility Verification Program (E-Verify). This MOU explains certain features of the E-Verify program and enumerates specific responsibilities of DHS, the Social Security Administration (SSA), and the Employer. E-Verify is a program that electronically confirms an employee's eligibility to work in the United States after completion of the Employment Eligibility Verification Form (Form I-9). For covered government contractors, E-Verify is used to verify the employment eligibility of all newly hired employees and all existing employees assigned to Federal contracts or to verify the entire workforce if the contractor so chooses.

Authority for the E-Verify program is found in Title IV, Subtitle A, of the Illegal Immigration Reform and Immigrant Responsibility Act of 1996 (IIRIRA), Pub. L. 104-208, 110 Stat. 3009, as amended (8 U.S.C. § 1324a note). Authority for use of the E-Verify program by Federal contractors and subcontractors covered by the terms of Subpart 22.18, "Employment Eligibility Verification", of the Federal Acquisition Regulation (FAR) (hereinafter referred to in this MOU as a "Federal contractor with the FAR E-Verify clause") to verify the employment eligibility of certain employees working on Federal contracts is also found in Subpart 22.18 and in Executive Order 12989, as amended.

ARTICLE II

FUNCTIONS TO BE PERFORMED

A. RESPONSIBILITIES OF SSA

1. SSA agrees to provide the Employer with available information that allows the Employer to confirm the accuracy of Social Security Numbers provided by all employees verified under this MOU and the employment authorization of U.S. citizens.
2. SSA agrees to provide to the Employer appropriate assistance with operational problems that may arise during the Employer's participation in the E-Verify program. SSA agrees to provide the Employer with names, titles, addresses, and telephone numbers of SSA representatives to be contacted during the E-Verify process.
3. SSA agrees to safeguard the information provided by the Employer through the E-Verify program procedures, and to limit access to such information, as is appropriate by law, to individuals responsible for the verification of Social Security Numbers and for evaluation of the E-Verify program or such other persons or entities who may be authorized by SSA as governed

# E-Verify



Company ID Number: 505216

To be accepted as a participant in E-Verify, you should only sign the Employer's Section of the signature page. If you have any questions, contact E-Verify at 888-464-4218.

<b>Employer Cowin Equipment Co Inc</b>	
<b>Tracy Womack</b>	
Name (Please Type or Print)	Title
<b>Electronically Signed</b>	<b>02/15/2012</b>
Signature	Date
<b>Department of Homeland Security – Verification Division</b>	
<b>USCIS Verification Division</b>	
Name (Please Type or Print)	Title
<b>Electronically Signed</b>	<b>02/15/2012</b>
Signature	Date

### Information Required for the E-Verify Program

#### Information relating to your Company:

Company Name:	Cowin Equipment Co Inc
Company Facility Address:	2238 Pinson Valley Parkway
	Birmingham, AL 35217
Company Alternate Address:	PO Box 10624
	Birmingham, AL 35202
County or Parish:	JEFFERSON
Employer Identification Number:	630141942



**Company ID Number: 475502**

**E-VERIFY  
CORPORATE COMPANY**

**If you have any questions, contact E-Verify at  
888-464-4218.**

**INFORMATION REQUIRED  
FOR E-VERIFY**

Information relating to your Company:

Company Name: Cowin Equipment Company Inc

Company Facility Address: 2238 Pinson Valley Parkway  
Birmingham, AL 35217

County or Parish: JEFFERSON

Information relating to the Corporate Administrator(s) for your Company on policy questions or operational problems:

Name:	<b>George Tickle</b>	Fax Number:	<b>(205) 841 - 2639</b>
Telephone Number:	<b>(205) 488 - 3950</b>		
E-mail Address:	<b>gtickle@cowin.com</b>		
Name:	<b>Tracy Womack</b>	Fax Number:	<b>(205) 488 - 3164</b>
Telephone Number:	<b>(205) 488 - 3959</b>		
E-mail Address:	<b>twomack@cowin.com</b>		